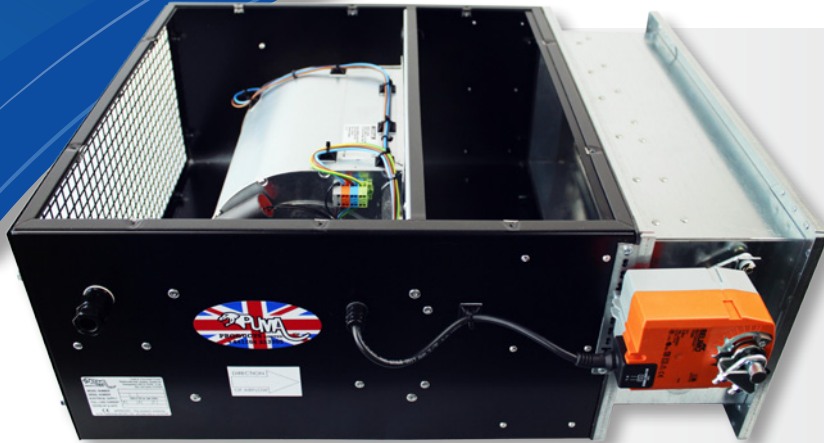


# Post Discharge Fire Extinguishant Extract Units Direct Driven Range

Bespoke Fire Extinguishant Gas Extract Units  
for Data or Server Rooms



## Internal Duct Mounted Unit

- Monocoque construction - single skin
- Ral 9005 satin black powder coat finish
- Top or bottom access lid
- Vertical / ceiling mounting
- Internal flange duct connections
- Fully sealed 2hr fire/smoke damper (FSD)

*Options and Accessories available on request*

## Weatherproof Roof Mounted Unit

- Channel & Tray construction
- RAL 5017 mid blue powder coat finish
- Top access pitched lid
- Weather cowl on discharge
- Ducted both ends version available
- External flange duct connection
- Internal fire/smoke damper available (FSD)



**Fire Extinguishant Extract Units** (denoted **FE**) models are selected for Electronic Data Processing areas (EDP) to extract harmful fire extinguishing gases. Refer to BS ISO 14520 & BS EN 15004-1:2008 Section 5.1

Fitted as standard with 2 Hr rated (BS EN 1634-1:2008) fully sealed damper & motor, (power open spring return), and a single or three phase, double inlet direct driven centrifugal fan.

Pre-wired to terminal block for mains supply and Volt Free Contacts (VFC) for airflow indication normally interlocking with fire detection panel or BMS.

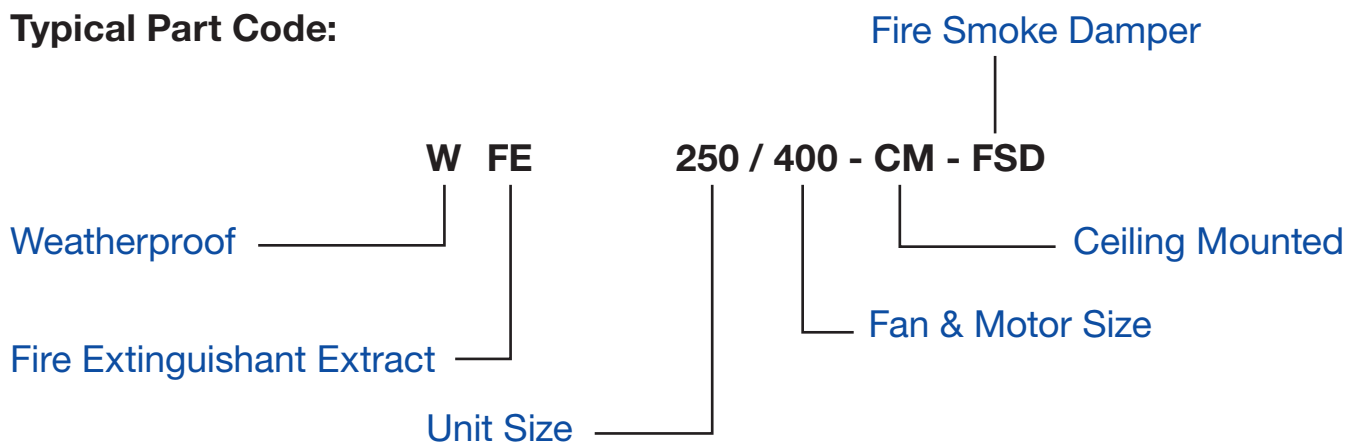
*Ventilate your environment with*



# Performance Data

Model Number	Duty in m3/sec @ given External Static Pressure (Pa)											
	0	50	75	100	125	150	200	250	300	350	400	450
FE 200/200	0.1	0.09	0.08	0.08	0.07	0.07	0.06	0.05	0.01	-	-	-
FE 200/250	0.12	0.11	0.1	0.095	0.09	0.085	0.08	0.07	0.06	-	-	-
FE 200/300	0.15	0.14	0.13	0.125	0.12	0.11	0.1	0.09	0.085	0.06	-	-
FE 250/400	0.2	0.2	0.18	0.17	0.16	0.15	0.13	0.1	0.07	-	-	-
FE 250/600	0.27	0.26	0.25	0.24	0.23	0.22	0.21	0.19	0.17	-	-	-
FE 300/1400	0.65	0.64	0.63	0.61	0.6	0.59	0.58	0.55	0.53	0.51	0.49	0.46
FE 350/850	0.42	0.4	0.39	0.37	0.33	0.3	0.23	0.1	-	-	-	-
FE 350/1000	0.53	0.48	0.43	0.4	0.38	0.31	0.24	0.1	-	-	-	-
FE 350/1200	0.59	0.57	0.56	0.55	0.55	0.54	0.49	0.41	0.25	0.01	-	-
FE 400/1800	0.95	0.9	0.89	0.89	0.89	0.88	0.83	0.81	0.76	0.68	-	-
FE 450/2500	1.27	1.2	1.1	1.07	1.03	0.97	0.89	0.84	0.72	0.55	-	-
FE 550/3600	1.8	1.72	1.6	1.55	1.5	1.43	1.35	1.15	0.89	-	-	-
FE 550/3700	1.79	1.75	1.72	1.68	1.66	1.58	1.51	1.42	1.36	1.3	1.16	0.86
FE 550/4500	2.1	2.05	1.92	1.85	1.8	1.7	1.6	1.25	1.0	-	-	-

## Typical Part Code:



Over 35 years supplying the  
Fire Suppression and Ventilation Industry

# Electrical and Sound Data

Model Number	Motor Running Current (Amps)	Motor Starting Current (Amps)	Motor Power (Watts)	Induct Sound Power Levels dBW @ Octave Band Mid Frequency Hz								Breakout Noise Level dBA*	
				63	125	250	500	1K	2K	4K	8K	SSK	DSK
FE 200/200	0.3	0.75	67	32	34	46	55	56	54	51	50	40	25
FE 200/250	0.44	1.1	99	25	29	38	43	39	40	34	26	36	21
FE 200/300	0.8	2.0	175	63	57	55	54	54	47	41	32	44	29
FE 250/400	0.8	2.0	190	40	44	46	52	52	50	45	41	41	26
FE 250/600	1.2	3.0	273	68	62	61	61	59	54	47	37	48	33
FE 300/1400	7.6	19.0	1000	93	91	84	82	79	75	67	60	65	50
FE 350/850	1.9	4.75	184	67	69	70	69	66	62	59	54	44	29
FE 350/1000	2.3	5.75	300	71	72	73	72	70	66	62	57	48	33
FE 350/1200	2.6	6.5	420	75	72	67	63	61	60	58	54	50	35
FE 400/1800	4.2	12.5	550	76	74	66	64	60	57	49	41	53	38
FE 450/2500	6.8	17.5	550	80	78	70	68	64	61	53	45	61	46
FE 550/3600	4.3**	21.5**	1100	87	84	82	81	79	75	67	55	64	49
FE 550/3700	4.7**	23.5**	1500	87	88	89	88	86	82	78	73	71	56
FE 550/4500	4.5**	22.5**	1100	79	76	74	72	67	64	58	48	62	47

\* The dBA quoted is the mean 'A' weighted sound pressure level measured at a distance of 3m. It is included for comparative purposes only, and the actual sound level experienced will depend on the acoustic characteristics of the area being served. Ductwork and Silencers also have a major influence on breakout noise and actual noise levels in the system.

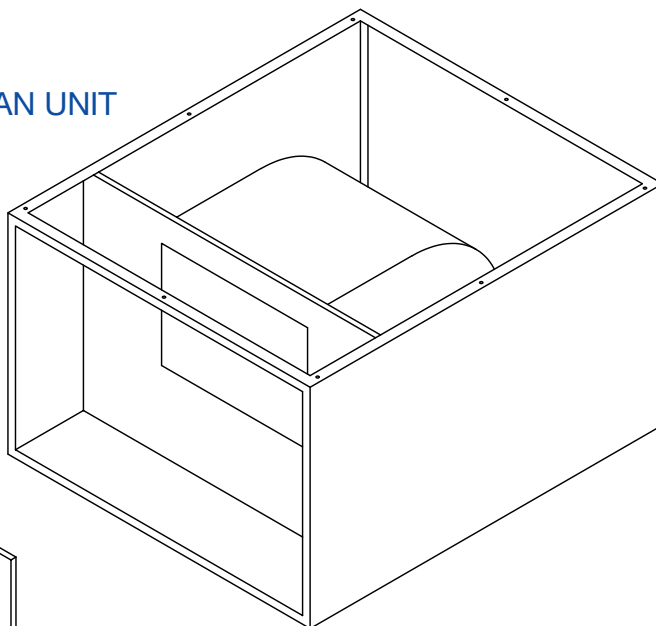
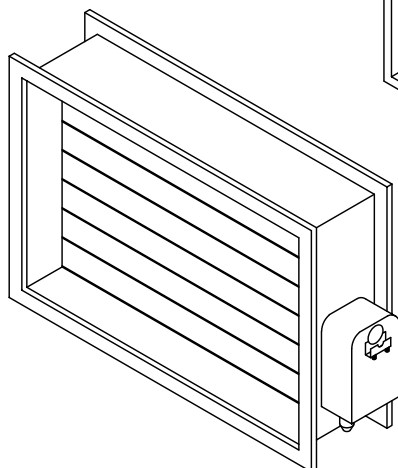
\*\* 380/415 V ac Three Phase Motor

## Options and Accessories

- SSK** Single Skin
- FSD** Fire / Smoke Damper & Motor
- TD** Telescopic Duct
- WL** Weather Louvre
- VM** Vertically Mounted
- CM** Ceiling Mounted

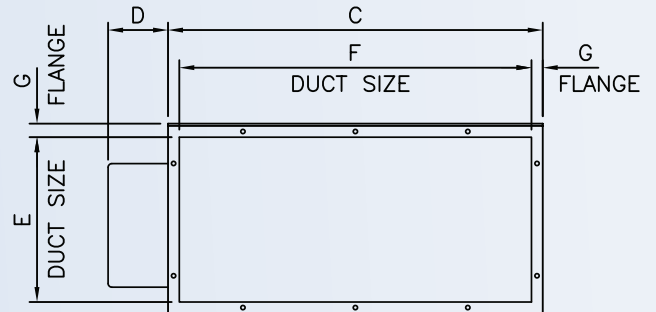
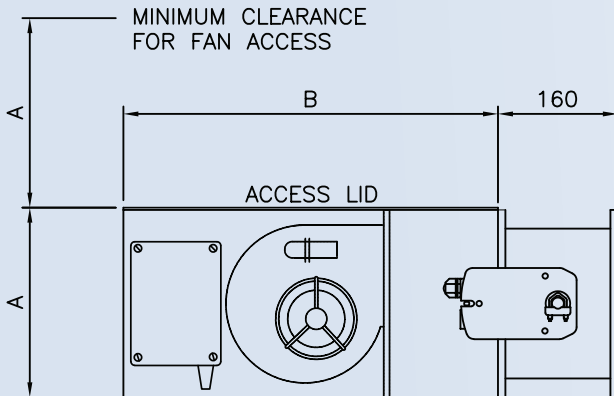
FAN UNIT

FSD

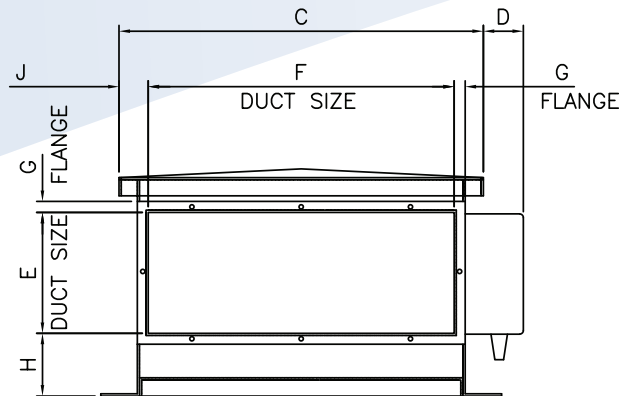
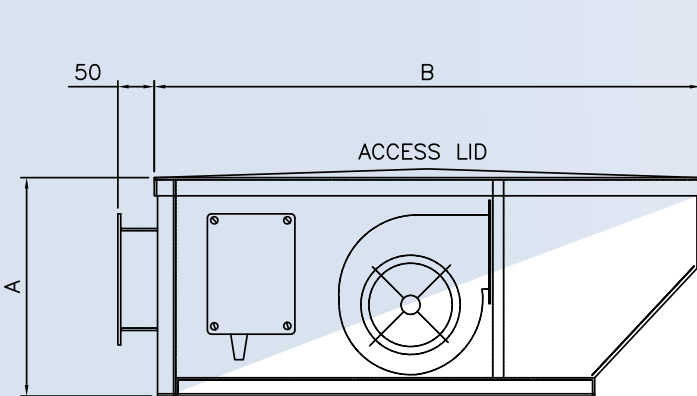


# Dimensional Data

## Internal Duct Mounted Unit



## Weatherproof Roof Mounted Unit



Model Number	Dimensions in Millimetres									
	A	B	C	D	E	F	G	H	J	WEIGHT
FE 200	200	450	450	100	166	420	15	-	-	20 Kg
FE 250	250	500	500	100	220	470	15	-	-	25 Kg
FE 300	300	600	500	100	260	460	20	-	-	30 Kg
FE 350	350	700	600	175	310	560	20	-	-	40 Kg
FE 400	415	700	600	175	375	560	20	-	-	50 Kg
FE 450	450	700	700	175	410	660	20	-	-	60 Kg
FE 550	550	900	800	175	500	750	25	-	-	90 Kg
WFE 200	225	650	500	75	126	314	13	50	93	25 Kg
WFE 250	300	750	500	75	166	420	15	86	40	35 Kg
WFE 300	350	800	600	75	166	420	15	125	90	40 Kg
WFE 350	400	850	700	75	220	470	15	135	115	45 Kg
WFE 400	450	950	800	150	260	460	20	155	170	60 Kg
WFE 450	500	1000	800	150	310	560	20	120	120	70 Kg
WFE 550	600	1150	1000	150	375	560	20	195	220	100 Kg



Unit C, Alexander Bell Centre, Hopkinson Way, West Portway, Business Park, Andover, Hampshire, SP10 3UR, England  
 Telephone: +44 (0) 1264 333305 Facsimile: +44 (0) 1264 333310 Email: sales@pumaproducts.co.uk